

MCT Pulse valve

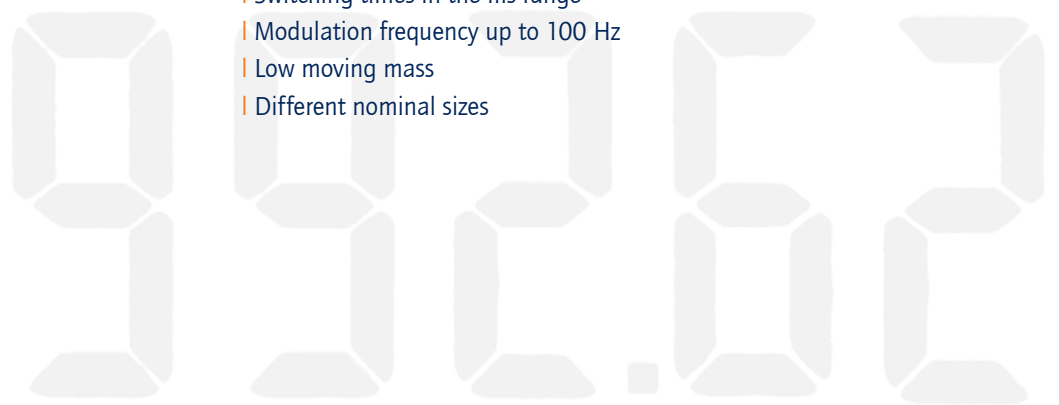
... for dynamic switching operations



Features

- | From vacuum to 300 bar: air
- | From 0 to 400 bar: liquids
- | For smallest volumes of gases and liquids
- | NC function
- | Switching times in the ms range
- | Modulation frequency up to 100 Hz
- | Low moving mass
- | Different nominal sizes

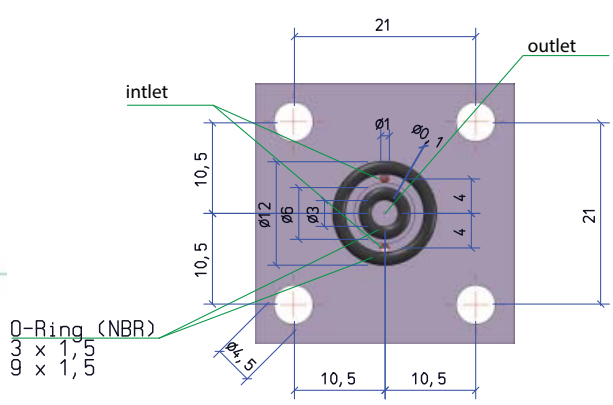
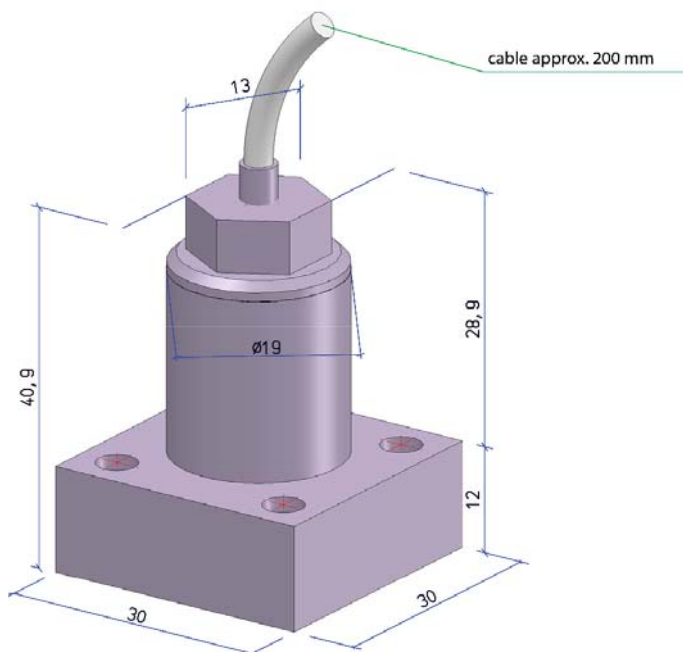
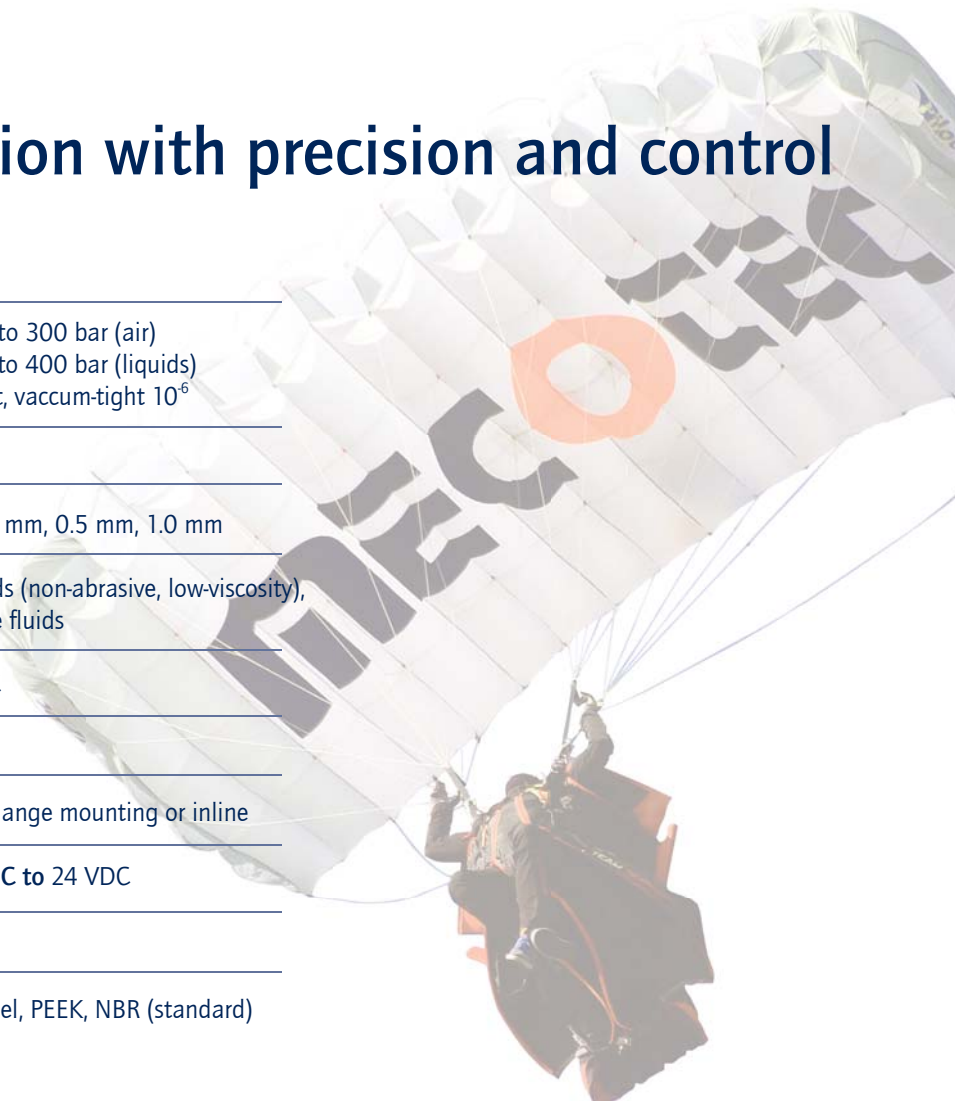
mbar



Reliable regulation with precision and control

Technical specifications

Pressure range	Vacuum up to 300 bar (air) Vacuum up to 400 bar (liquids) Helium-tight, vacuum-tight 10^{-6}
Response times	< 1 ms
Nominal sizes	0.1 mm, 0.3 mm, 0.5 mm, 1.0 mm
Media	Gases, liquids (non-abrasive, low-viscosity), petrol, brake fluids
Temperature range	10 ... 125°C
Compressive strength	600 bar
Valve type	2-way, NC, flange mounting or inline
Auxiliary power	From 14 VDC to 24 VDC
Output	9 W
Materials	Stainless steel, PEEK, NBR (standard)



MECOTEC

Mess- und Regelungstechnik GmbH

Neuglucker Weg 2 | 45529 Hattingen
 Tel. +49 (0) 2324 9430 50
 Fax +49 (0) 2324 9430 55
info@mecotec.eu | www.mecotec.eu